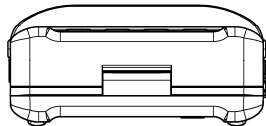
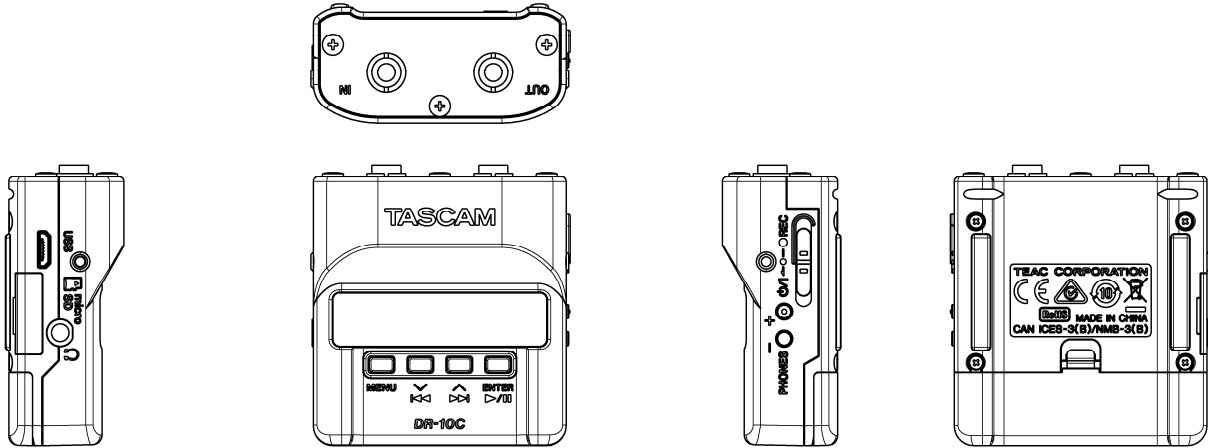
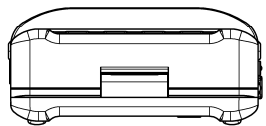
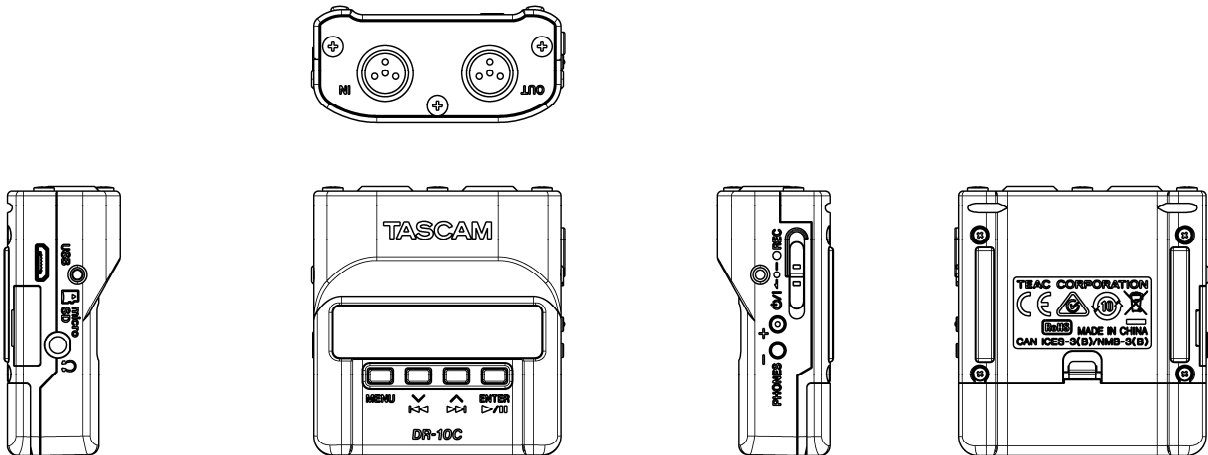


Product Spec Sheet
Compact Linear PCM Recorder
DR-10C



DR-10CS (for Sennheiser)



DR-10CH (for Shure)

■ Specifications

Ratings

•Recording media

- microSD card (64 MB–2 GB)
- microSDHC card (4 GB–32 GB)

•Recording/playback formats

- 48kHz/24-bit MONO WAV (BWF format)

Input/output ratings

•Analog input

Mic jack

Connector

DR-10CS (for Sennheiser): 1/8" (3.5mm) mini TRS jack (with screw lock)

DR-10CH (for Shure): mini XLR 4-pin male

Maximum input level: –12dBu (According to MODEL SELECT)

Minimum input level: –53dBu (According to MODEL SELECT)

Mic input gain: +10 dB to +35 dB (According to MODEL SELECT)

Input impedance: 33 k Ω or more

•Analog output

Headphones jack

Connector: 1/8" (3.5mm) stereo phone (dual mono audio output)

Audio performance

•IN → PHONES (input monitoring output, 10k Ω load)

Frequency response: 20 Hz – 22 kHz +1/–2 dB

Distortion: 0.05% (1kHz sine wave, at maximum input level)

S/N ratio: 88 dB or higher (PHONES volume max, MIC GAIN LO selected)

Requirements for connected computers

Check the TEAC Global Site (<http://teac-global.com/>) for the latest information about supported operating systems.

•Supported operating systems

Windows

Windows 8 (including 8.1), Windows 7

Mac

OS X Mavericks (10.9), OS X Mountain Lion (10.8)

General

•Power

1 AAA battery (alkaline, NiMH or lithium)

USB bus power from a computer

•Power consumption

0.45 W (maximum)

•Current consumption (USB bus power)

0.25A (maximum)

• **Battery operation time (continuous operation)**

Using an alkaline battery (EVOLTA)

	Format	Operation time	Note
Recording	48kHz/24-bit WAV	About 10.0 hours	Mic and transmitter connected; headphones not connected Mic bias: off Limiter: off Dual recording: off
Recording	48kHz/24-bit WAV	About 9.5 hours	Only mic connected Headphones not connected Mic bias: on Limiter: off Dual recording: off

Recording: JEITA recording time

Using NiMH battery (eneloop)

	Format	Operation time	Note
Recording	48kHz/24-bit WAV	About 8.0 hours	Mic and transmitter connected; headphones not connected Mic bias: off Limiter: off Dual recording: off
Recording	48kHz/24-bit WAV	About 7.5 hours	Only mic connected Headphones not connected Mic bias: on Limiter: off Dual recording: off

Recording: JEITA recording time

Using lithium battery (Energizer ULTIMATE LITHIUM)

	Format	Operation time	Note
Recording	48kHz/24-bit WAV	About 15.5 hours	Mic and transmitter connected; headphones not connected Mic bias: off Limiter: off Dual recording: off
Recording	48kHz/24-bit WAV	About 14.5 hours	Only mic connected Headphones not connected Mic bias: on Limiter: off Dual recording: off

Recording: JEITA recording time

• **Date and time data retention**

Secondary lithium battery × 1 (built-in)

• **Dimensions**

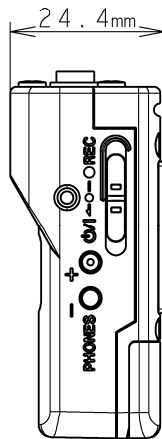
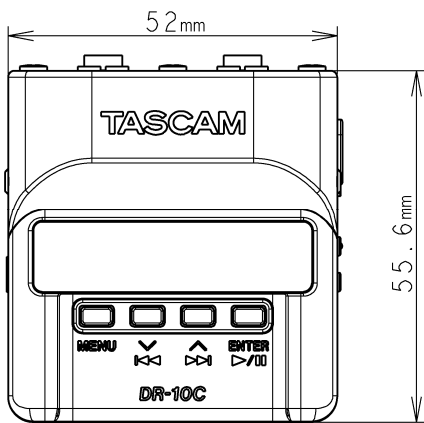
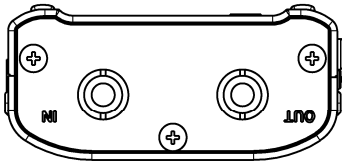
52 x 55.6 x 24.4 mm (width × height × depth, excluding protrusions)

• **Weight**

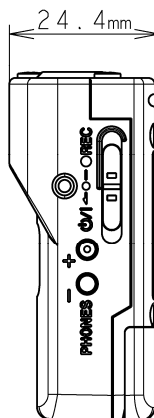
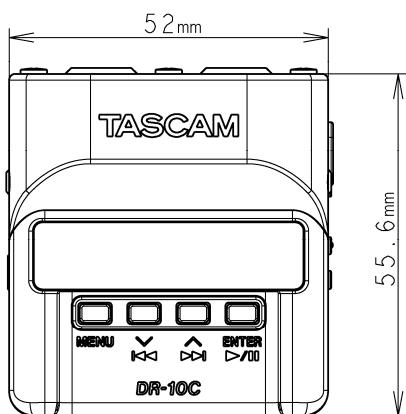
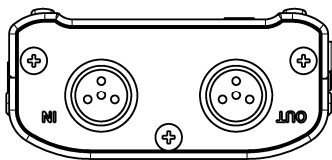
63 g (including batteries)/51 g (not including batteries)

- Operating temperature range
0°C–40°C (32°F–104°F)

■ Dimensional drawings



DR-10CS (for Sennheiser)



DR-10CH (for Shure)

- ※TASCAM is trademark of TEAC CORPORATION, registered in the U.S. and other countries.
- ※Other company names, product names and logos are the trademarks or registered trademarks of their owners.
- ※Specifications and appearance are subject to change without notice.
- ※All information included in this document is as of Feb, 2015.